

# AURORALIGHT

PROJECT: \_\_\_\_\_

SKU #: \_\_\_\_\_

TYPE: \_\_\_\_\_

## QUAD

STW331103

The Quad; a fixed-aim wall and step luminaire, is among the newest efforts from Auroralight. It represents a new class of lighting tool that features our robust and popular LM16 Copper Core® LED module.

- Field serviceable & interchangeable LED module
- Thermally Integrated® w/ Copper Core Technology®
- Solid brass construction
- Ideal for stairs, pathways and architecture



### CONFIGURATOR:

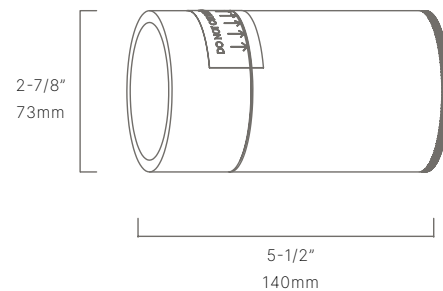
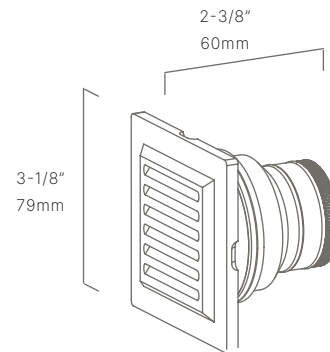
STW331103	LED	FINISH
	( ) = Most common configuration	(2704) 2700K 4W (2706) 2700K 6W (3004) 3000K 4W (3006) 3000K 6W

### AVAILABLE FINISHES:



FIXTURE DIMENSIONS	W3-1/8" x L2-3/8"
LIGHT SOURCE	Included LED Module
COLOR TEMPERATURES	2700K, 3000K
WATTAGES	4W, 6W
CRI (RA)	80 CRI
VOLTAGE	12V
DELIVERED LUMENS	46lm (3000K)
DIMMABLE	Yes, Dim to <10% via Transformer
DRIVER	Yes, 12V Integral Constant Current
TRANSFORMER	No, 12V AC/DC Transformer Required
MOUNT	Included Sch. 40 PVC w/ J-Box
FINISH	Included Natural Brass
MATERIAL	Brass
WIRE LENGTH	24"
LOCATION	Exterior Wet
CERTIFICATIONS	UL, IP66, IP67, Dark Sky

\*For complete warranty terms, please visit: [www.auroralight.com/warranty/](http://www.auroralight.com/warranty/)



P. 760.931.2910

O. 2742 Loker Ave. W Carlsbad CA 92010

W. [www.auroralight.com](http://www.auroralight.com)

MADE IN USA  
WITH DOMESTIC & IMPORTED MATERIALS



# AURORALIGHT

PROJECT: \_\_\_\_\_

SKU #: \_\_\_\_\_

TYPE: \_\_\_\_\_

## ADD-ONS

### ACCESSORIES

MCH004103	3" Aluminum Conduit Hub
MCH004203	3" Brass Conduit Hub
FM331	Flush Mount Adapter

\*For complete details, please visit [auroralight.com/mounts/](http://auroralight.com/mounts/)

### MOUNTS



P. 760.931.2910

O. 2742 Loker Ave. W Carlsbad CA 92010

W. [www.auroralight.com](http://www.auroralight.com)

MADE IN USA  
WITH DOMESTIC & IMPORTED MATERIALS

